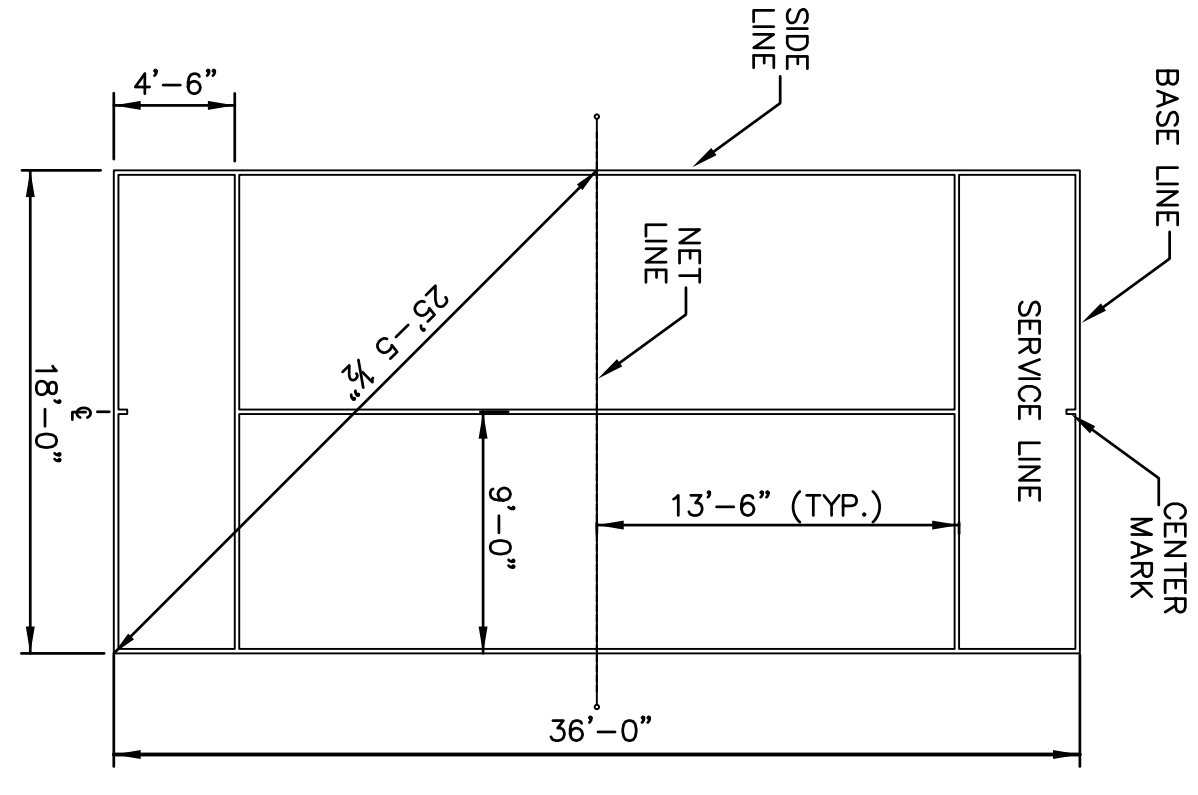


1 78 FOOT COURT CONVERSION
T-3 NOT TO SCALE



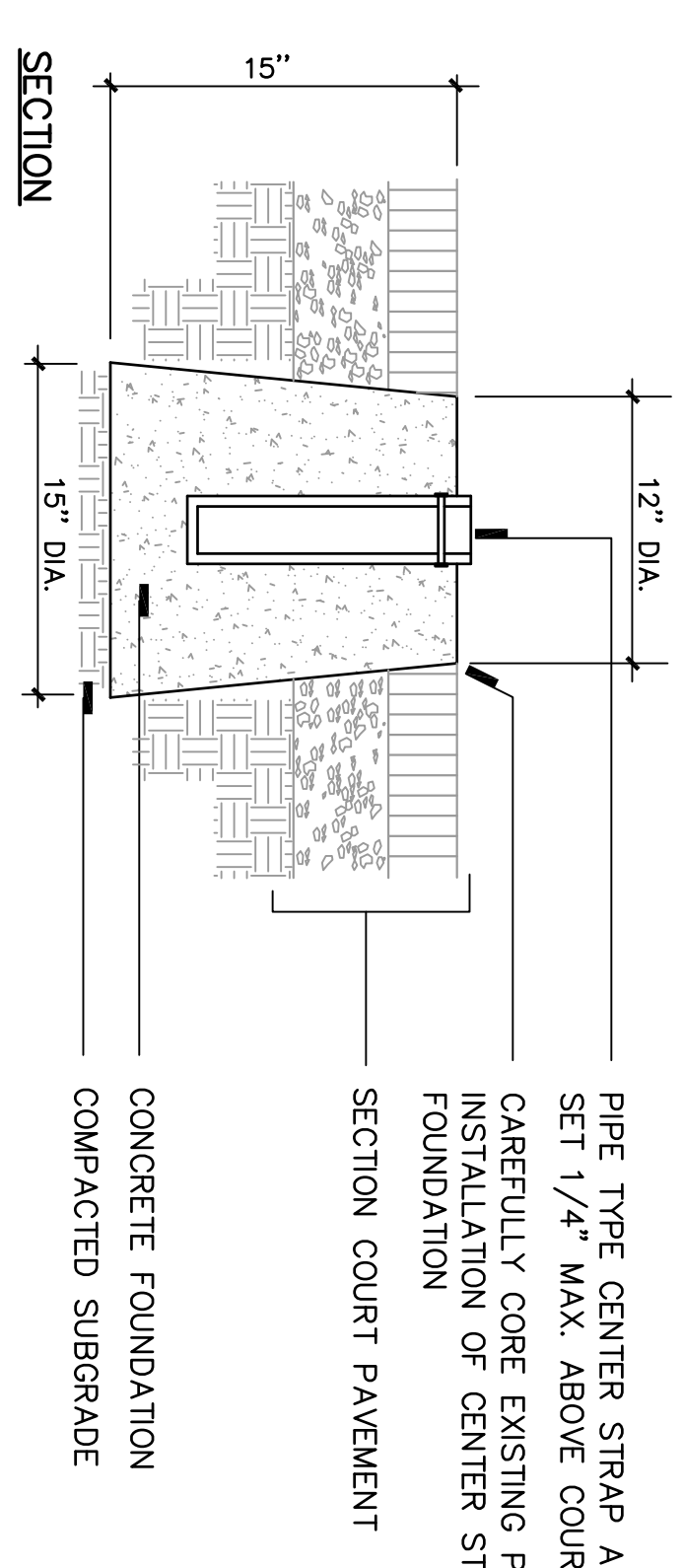
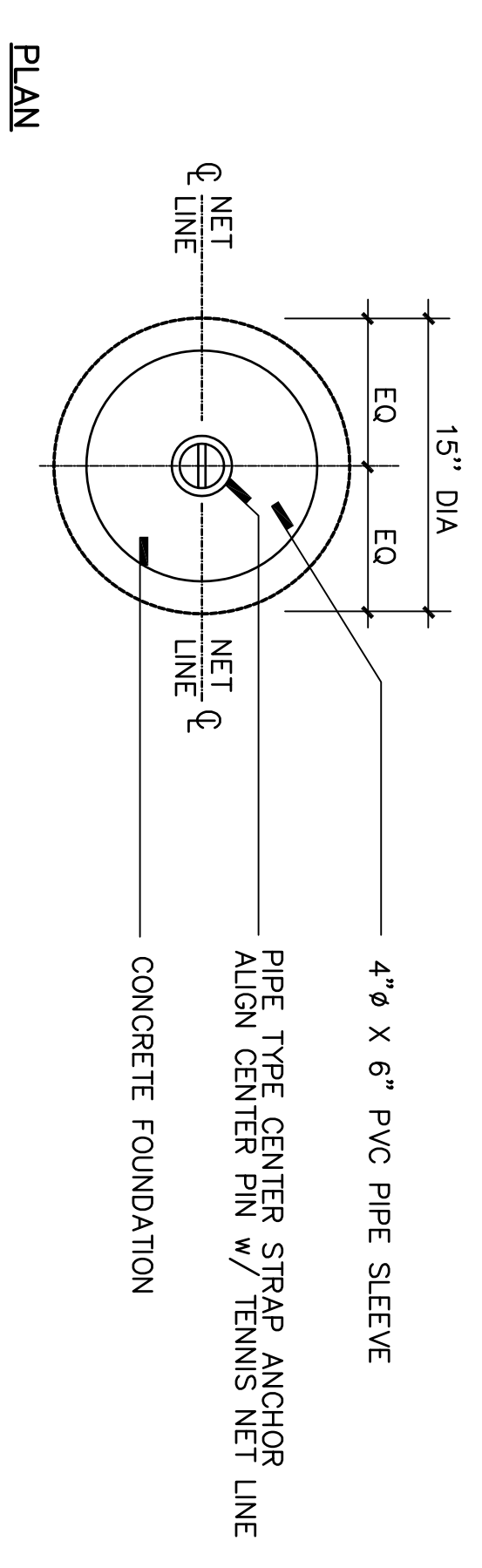
2 36 FOOT COURT LINE LAYOUT
T-3 NOT TO SCALE

- NOTES:
1. ALL 36 FOOT COURT PLAYING LINES SHALL BE 2" WIDE.
 2. ALL 36 FOOT COURT PLAYING LINES SHALL BE MEASURED TO THE OUTSIDE EDGE OF THE LINES, WITH THE EXCEPTION OF THE CENTER LINES WHICH SHALL BE MEASURED OUT TO CENTER.
 3. NET POSTS SHALL BE SET 22 FEET APART, MEASURED FROM THE CENTER OF EACH POST. THE NET SHALL MEASURE 36 INCHES AT THE NET POST AND 53 INCHES AT THE CENTER OF THE COURT.

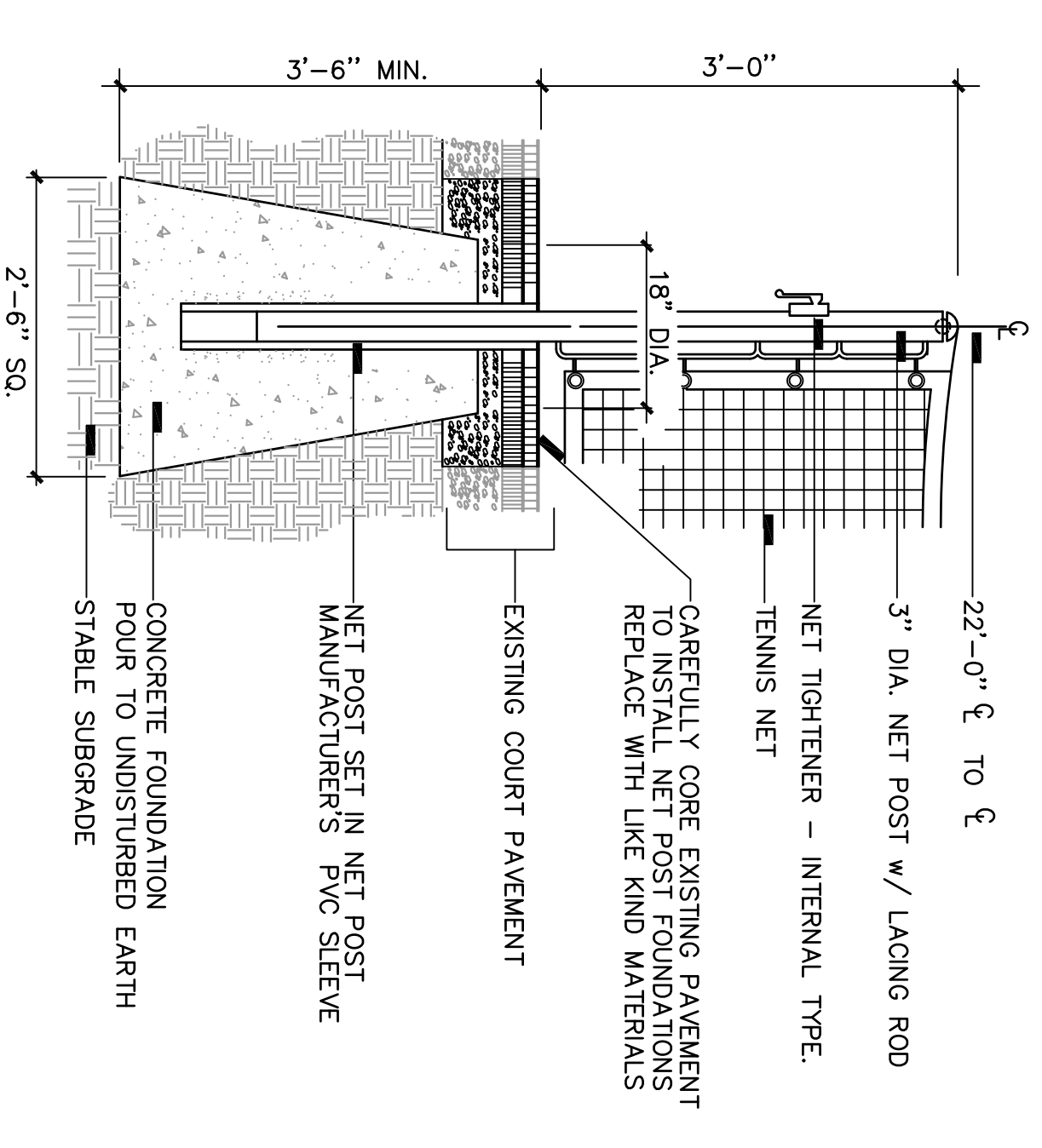
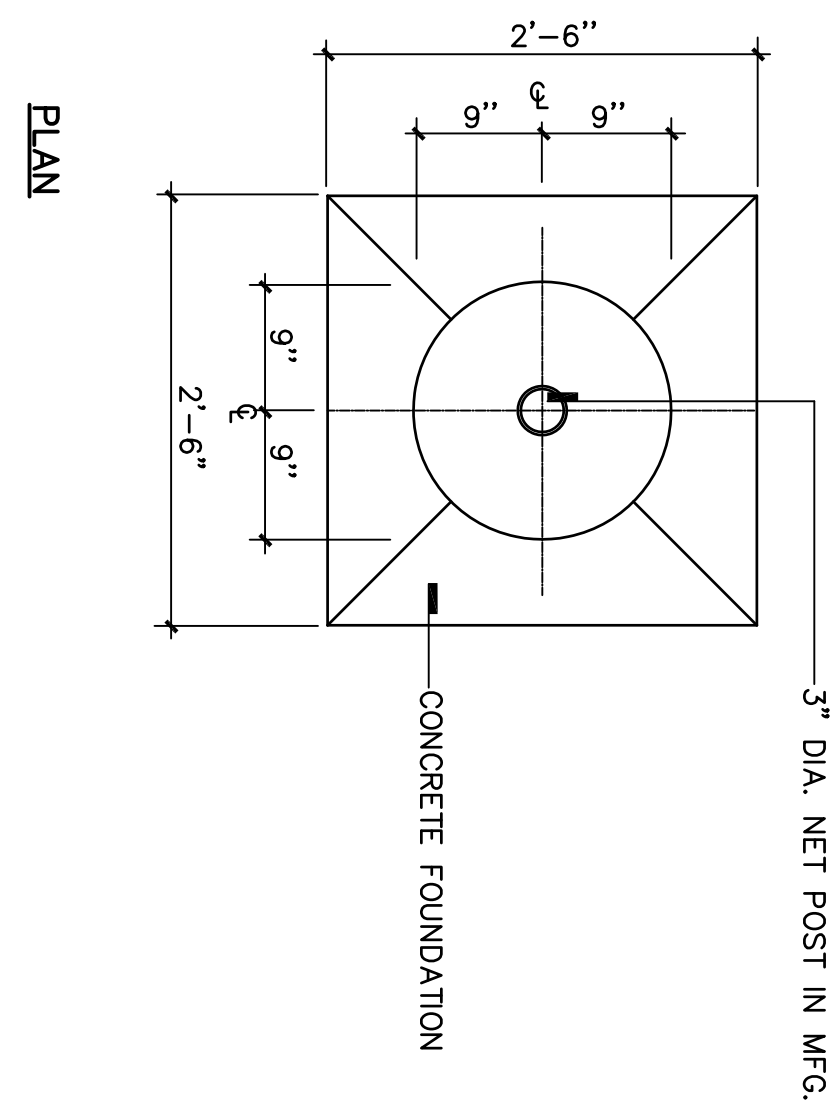
FUNCTION	SYMBOL	APPLICATION
RULES OF THE GAME	1 APPLICATION WHITE TEXTURED LINE PAINT (HAND PAINTED)
AESTHETICS		1 PERPENDICULAR APPLICATION FINE SAND TEXTURE COURSE (TINTED)
PLAYING CHARACTERISTICS		1 APPLICATION FINE SAND TEXTURE COURSE (TINTED) APPLY PERPENDICULAR TO PREVIOUS COURSE
PLAYING CHARACTERISTICS		1 APPLICATION FINE SAND TEXTURE COURSE (TINTED)
SUBSTRATE PREPARATION		2 APPLICATIONS COURSE SAND FILLER COATS (TINTED RESURFACER)
PAVEMENT SURFACE		EXISTING PAVEMENT

5 COURT SURFACING SYSTEM
T-3 NOT TO SCALE

- NOTE:
1. PRIOR TO PAINTING LINES, PROVIDE ONE COAT OF LINE PRIMER TO SEAL TAPE EDGE FOR CRISP LINE EDGE. WAFFY AND/OR FLZZY LINES WILL NOT BE ACCEPTED.



3 CENTER STRAP ANCHOR DETAIL
T-3 NOT TO SCALE



4 NET POST DETAIL - 36 FOOT COURT
T-3 NOT TO SCALE

PROJECT NAME:
10 AND UNDER TENNIS

UNITED STATES TENNIS ASSOCIATION
70 WEST RED OAK LANE
WHITE PLAINS, NEW YORK 10604
DAVID W. LASOTA, TENNIS FACILITY CONSULTANT
VIRGIL CHRISTIAN, DIRECTOR, COMMUNITY TENNIS DEVELOPMENT
(914) 897-2366

DRAWING DATE: MAY 31, 2018
DRAWN BY: DWL
SCALE: AS SHOWN
CHECKED BY: VHC
DRAWING NAME: 36 FOOT COURT DETAILS- EXISTING 78 FOOT COURT CONVERSION (60'x120')